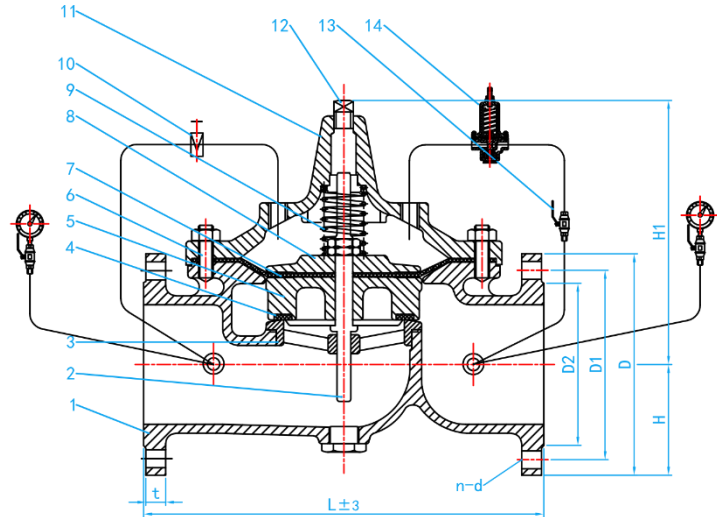


# EPOXY-COATED DUCTILE IRON PILOT OPERATED PRESSURE REDUCING VALVE



COMPLY WITH BS EN1567-2000  
BS EN 12266-1:2003  
BS EN 1092-2:1997



## COMPONENT PARTS

ITEM	PARTS	MATERIAL
1	Body	Epoxy-coated QT450
2	Valve Stem	20Cr13
3	Valve Seat	AISI304
4	Sealing	EPDM
5	Disc	20Cr13
6	Screw Plug / Nut	AISI304
7	Diaphragm	Reinforced Nylon +EPDM
8	Pressing Plate	AISI304
9	Spring	AISI304
10	Regulating Valve	AISI304
11	Upper Bonnet	Epoxy-coated QT450
12	Plug	AISI304
13	Shut off valve	AISI304
14	Pilot valve	AISI304
15	Pressure Gauges	1/4" brass connection

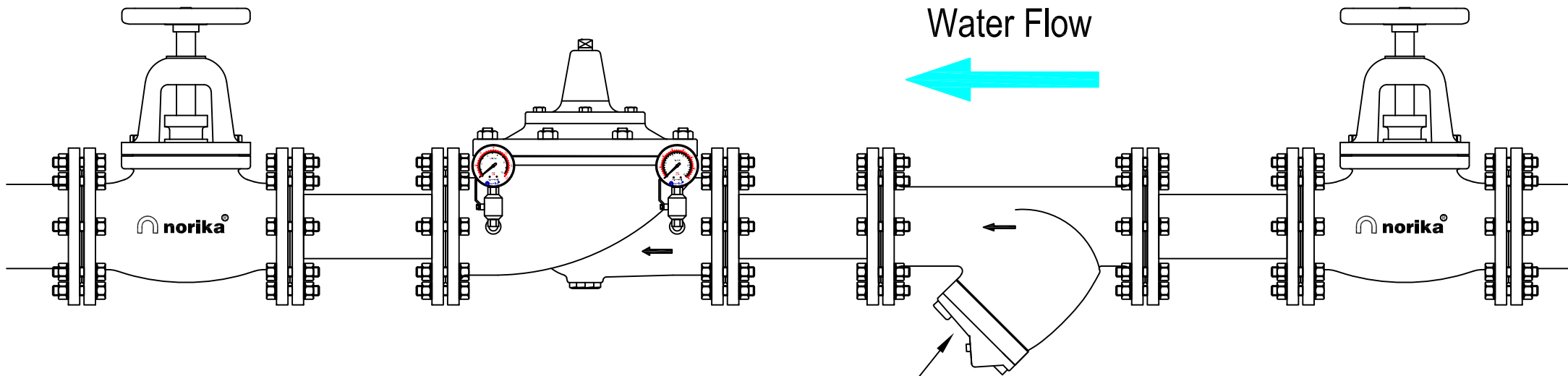
## STANDARD SPECIFICATIONS

Nominal Pressure	1.6MPa
Working Medium	Water
Working Temperature	0°C ≤ t ≤ 80 °C
Outlet Pressure Adjustable Range	0.1 ~ 0.5 Mpa

## DIMENSIONS

SKU	DN (mm)	L (mm)	H (mm)	H1 (mm)	D (mm)	D1 (mm)	D2 (mm)	N-d	t (mm)	WEIGHT (kg)	PCS/CTN
PRVDIN100F	100	350±3	110	280	220	180	155	8-19	19	33	1
PRVDIN150F	150	480±3	150	340	285	240	215	8-23	19	76	1

# PRVD IN-F INSTALLATION



Note: A strainer must be installed before the pressure reducing valve to prevent damage from debris.